

Product data sheet

Characteristics

XUZX2003

Photoelectric sensors XU, accessory for sensor, 3D fixing kit, bracket with ball joint, XUX



Product availability: Non-Stock - Not normally stocked in distribution facility

Price*: 11.10 USD



Main

Range of product	Telemecanique Photoelectric sensors XU
Accessory / separate part category	Mounting and fixing accessories
Accessory / separate part type	Fixing bracket
Accessory / separate part destination	Compact 92 x 71 mm sensor

Complementary

Product compatibility	XUZC50 XUX
Protective cover	Without
Net Weight	0.49 Lb(US) (0.22 kg)

Ordering and shipping details

Category	22481 - SENSORS, PHOTOELECTRIC
Discount Schedule	DS2
GTIN	03389110171570
Nbr. of units in pkg.	1
Package weight(Lbs)	8.82 Oz (250 g)
Returnability	No
Country of origin	ID

Packing Units

Unit Type of Package 1	PCE
Package 1 Height	0.98 In (2.5 cm)
Package 1 width	5.51 In (14 cm)
Package 1 Length	1.97 In (5 cm)

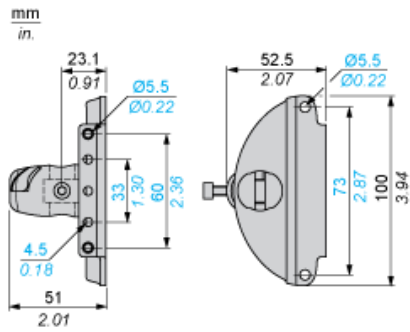
Offer Sustainability

Sustainable offer status	Green Premium product
California proposition 65	WARNING: This product can expose you to chemicals including: Diisononyl phthalate (DINP), which is known to the State of California to cause cancer, and Diisodecyl phthalate (DIDP), which is known to the State of California to cause birth defects or other reproductive harm. For more information go to www.P65Warnings.ca.gov
REACH Regulation	REACH Declaration
EU RoHS Directive	Pro-active compliance (Product out of EU RoHS legal scope) EU RoHS Declaration
Mercury free	Yes
RoHS exemption information	Yes
Environmental Disclosure	Product Environmental Profile
Circularity Profile	End Of Life Information

Contractual warranty

Warranty	18 months
----------	-----------

Dimensions



Product Life Status : Commercialised